



FUSION MARKETING LTD.
CATAMARANS
FIRST FLOOR, BCI HOUSE
PO BOX 141 RAROTONGA
COOK ISLANDS
OFFICE + 61 (0) 749 464 659
FAX + 61 (0) 749 464 679
WEB WWW.FUSIONCATS.COM

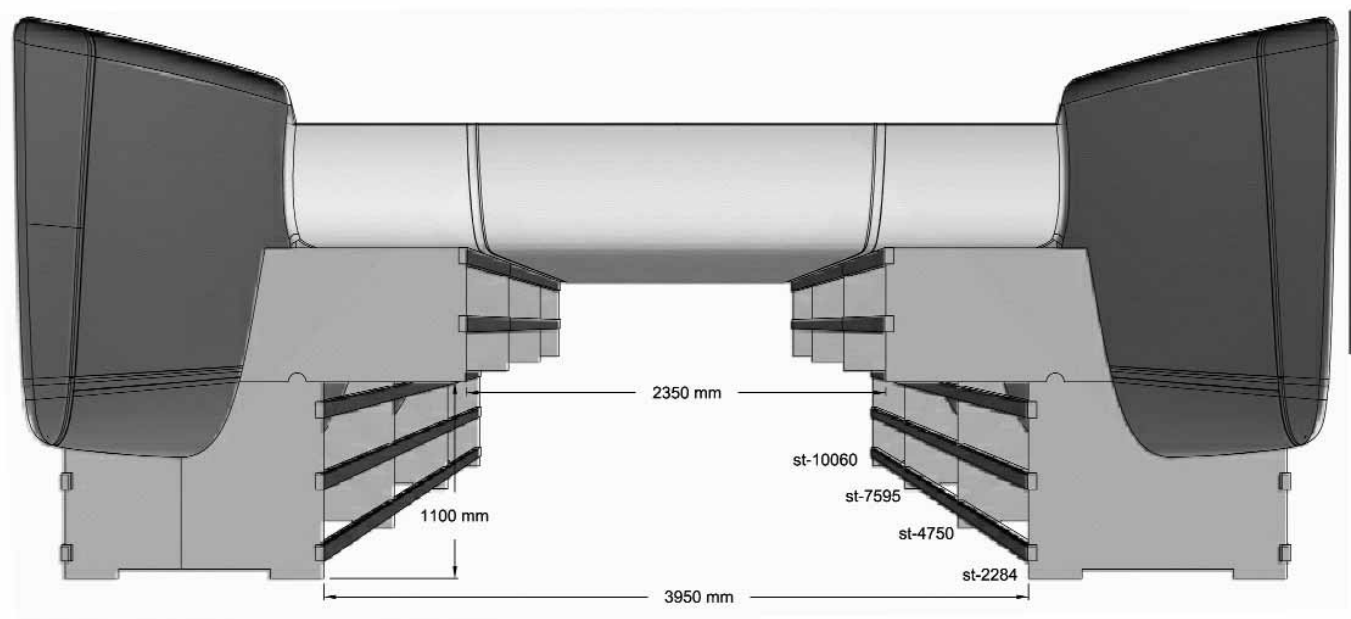
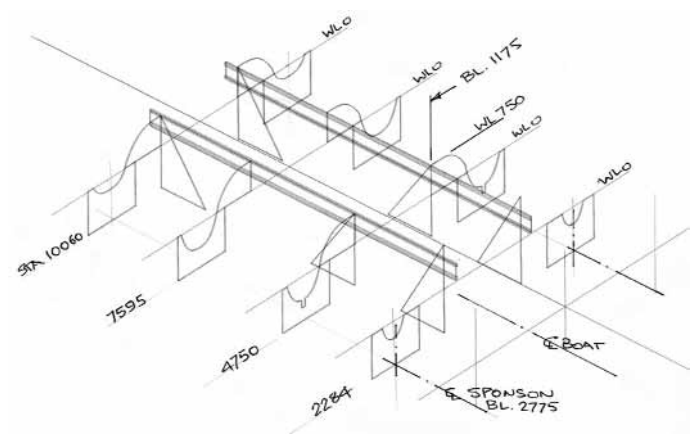
LaPassion by FUSION

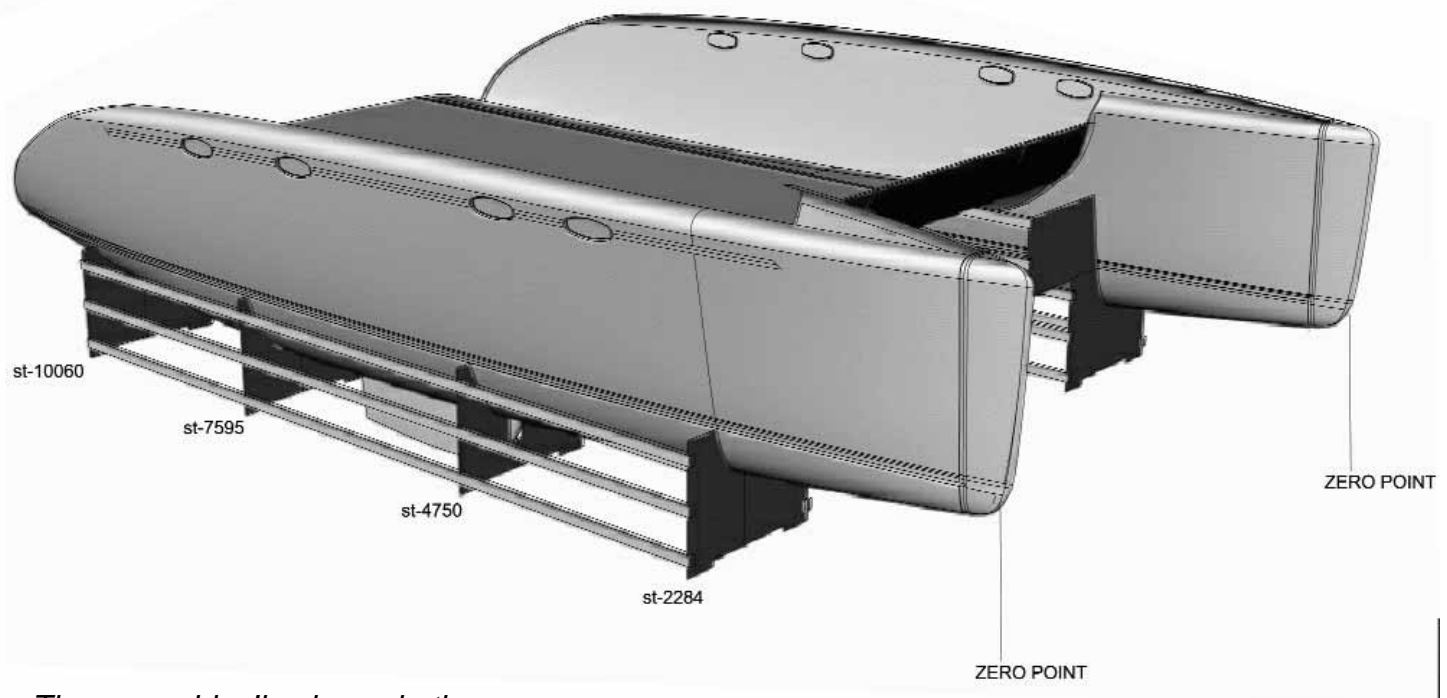
a simple explanation of the Assembly Process

These few pages are to give you a better understanding of the Fusion Assembly procedures.

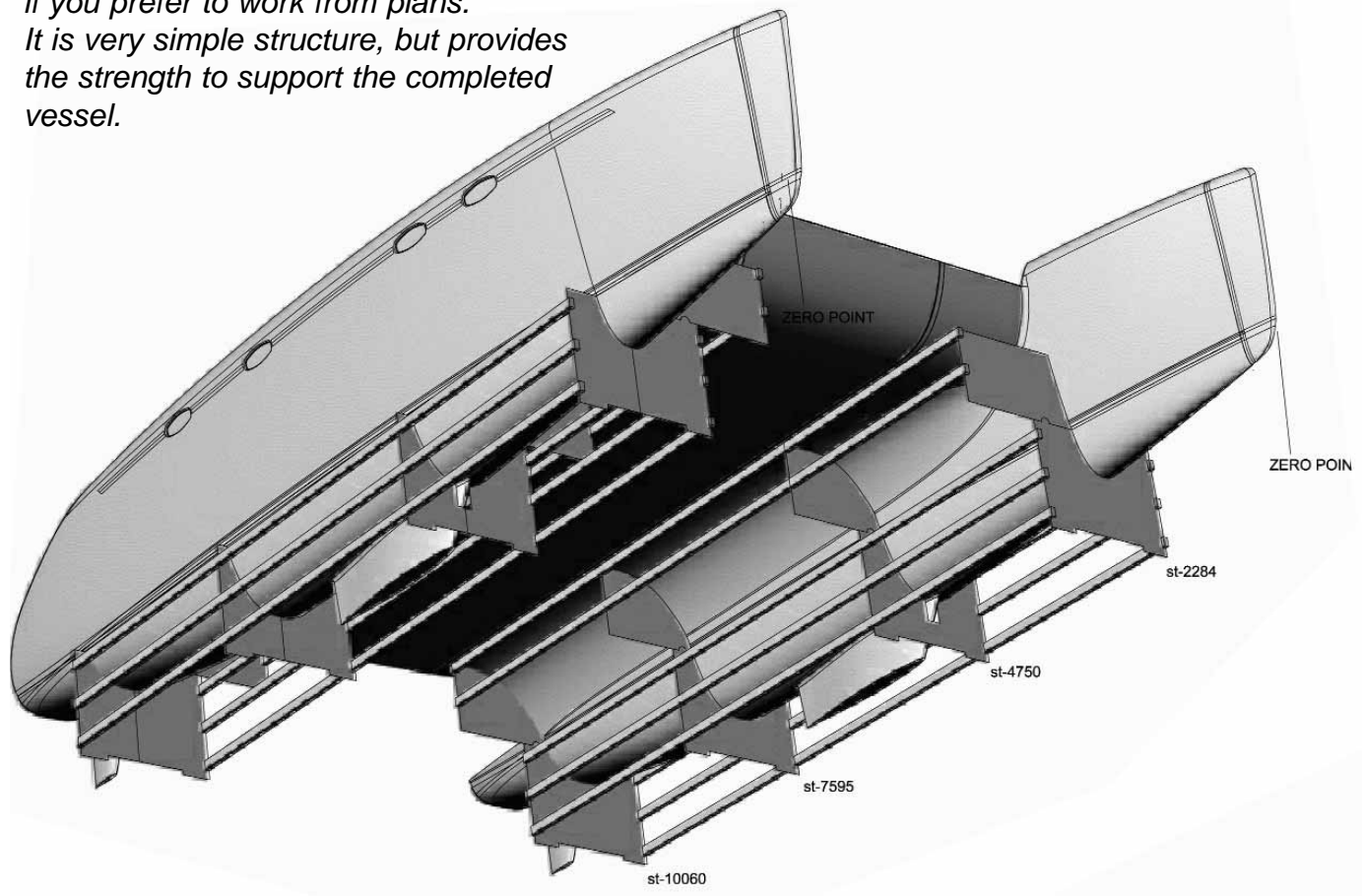
All technical Details, Plans, Suppliers Lists etc will be made available when the Kit is ordered.

Assembly options available to you also include: members of the Fusion Team assembling in your facility, an Agent assembling to any stage, or simply using the Fusion 24/7 support System which provides the process manuals and builder knowledge.

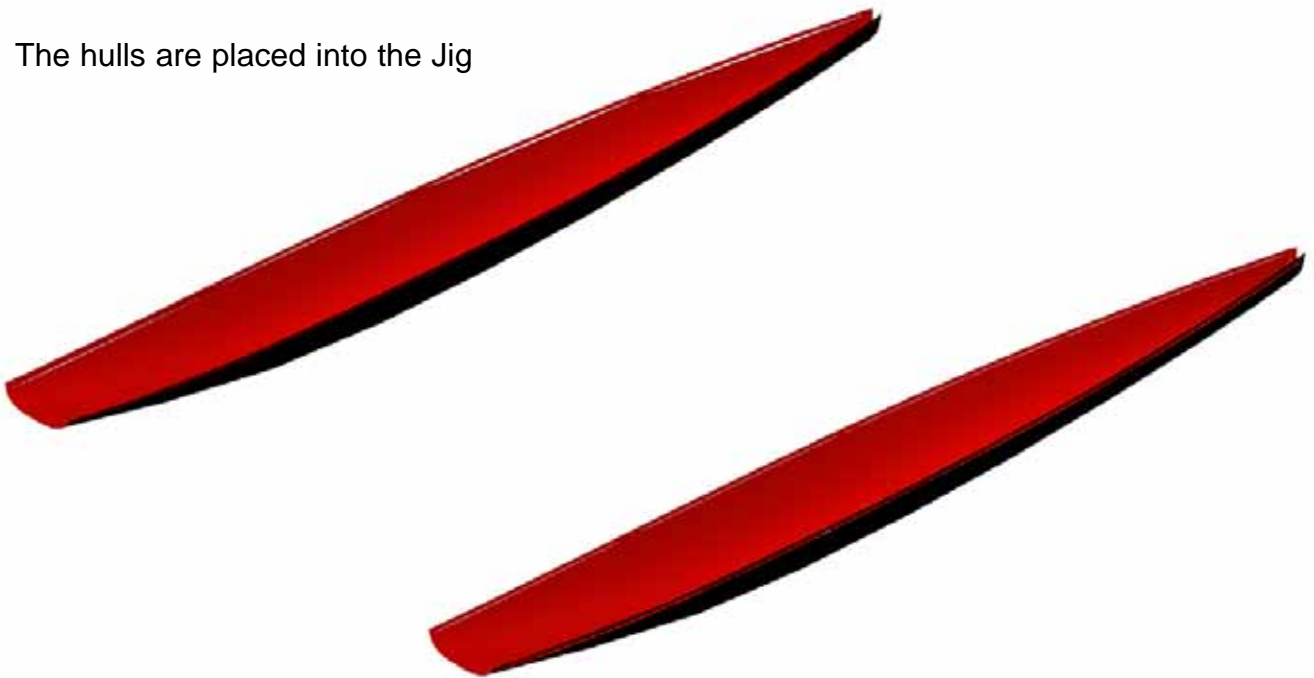




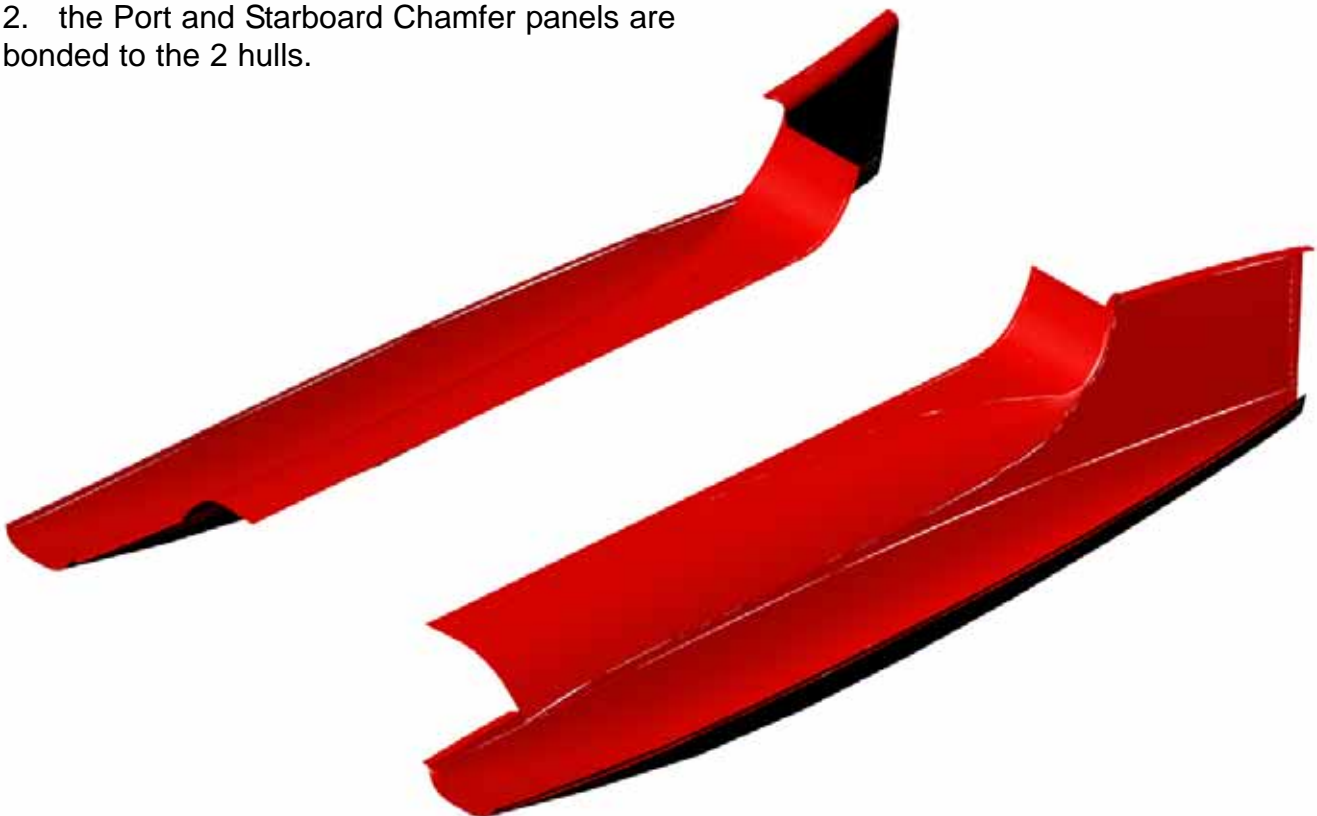
The assembly Jig shown in these three images, is provided as a dxf file for pre-routing and also as a dwg file if you prefer to work from plans. It is very simple structure, but provides the strength to support the completed vessel.



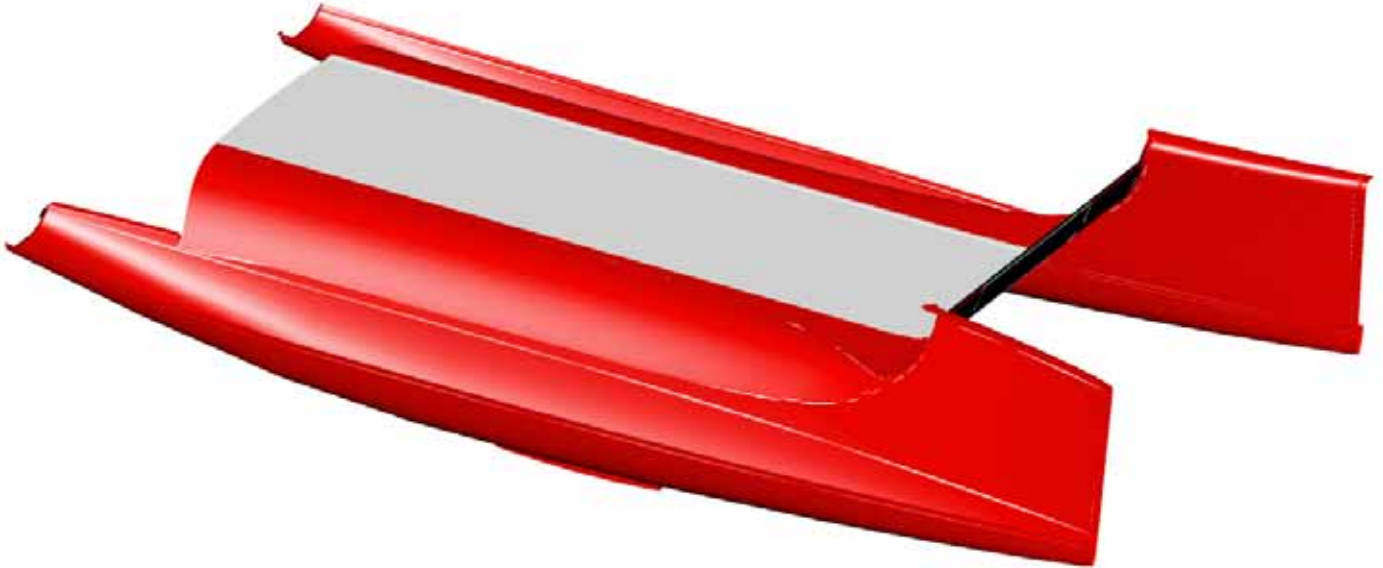
1. The hulls are placed into the Jig



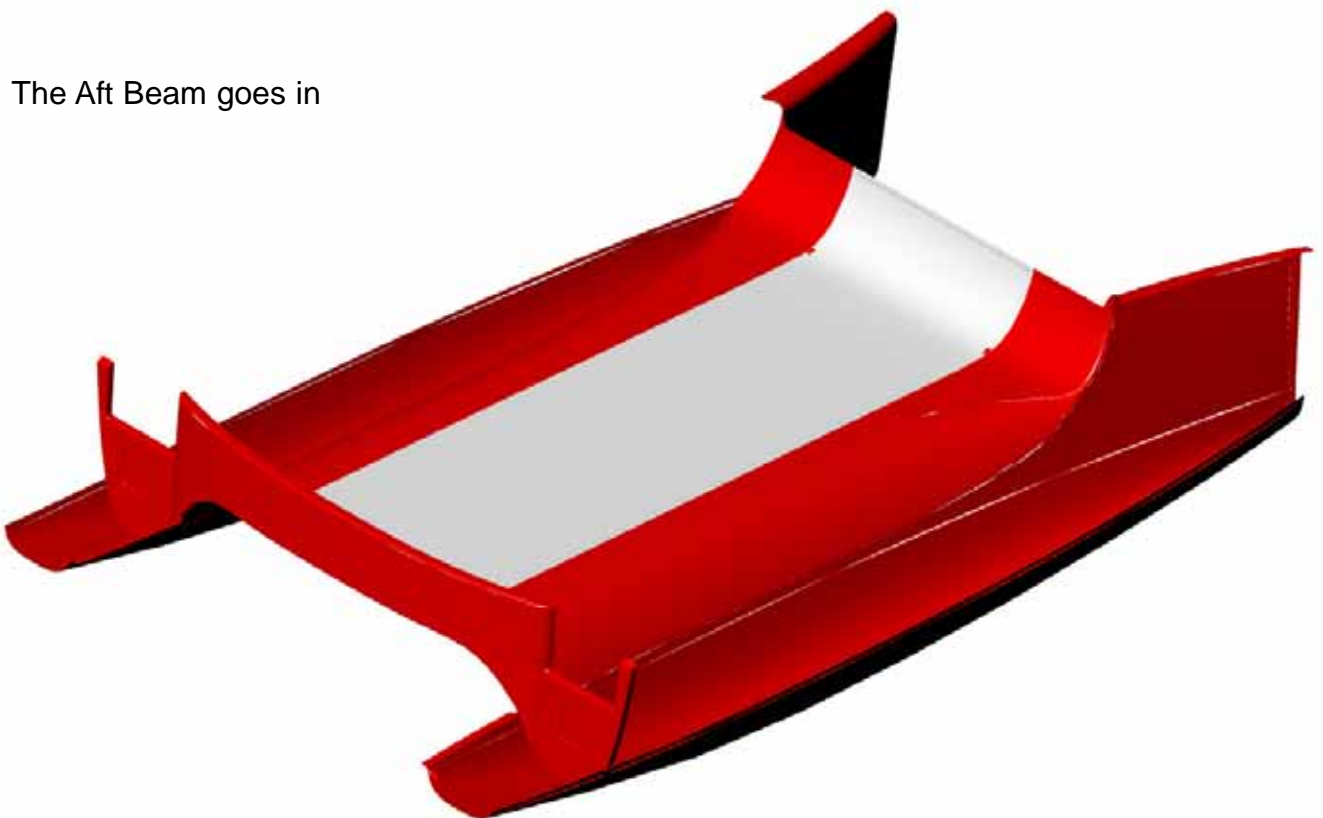
2. the Port and Starboard Chamfer panels are bonded to the 2 hulls.



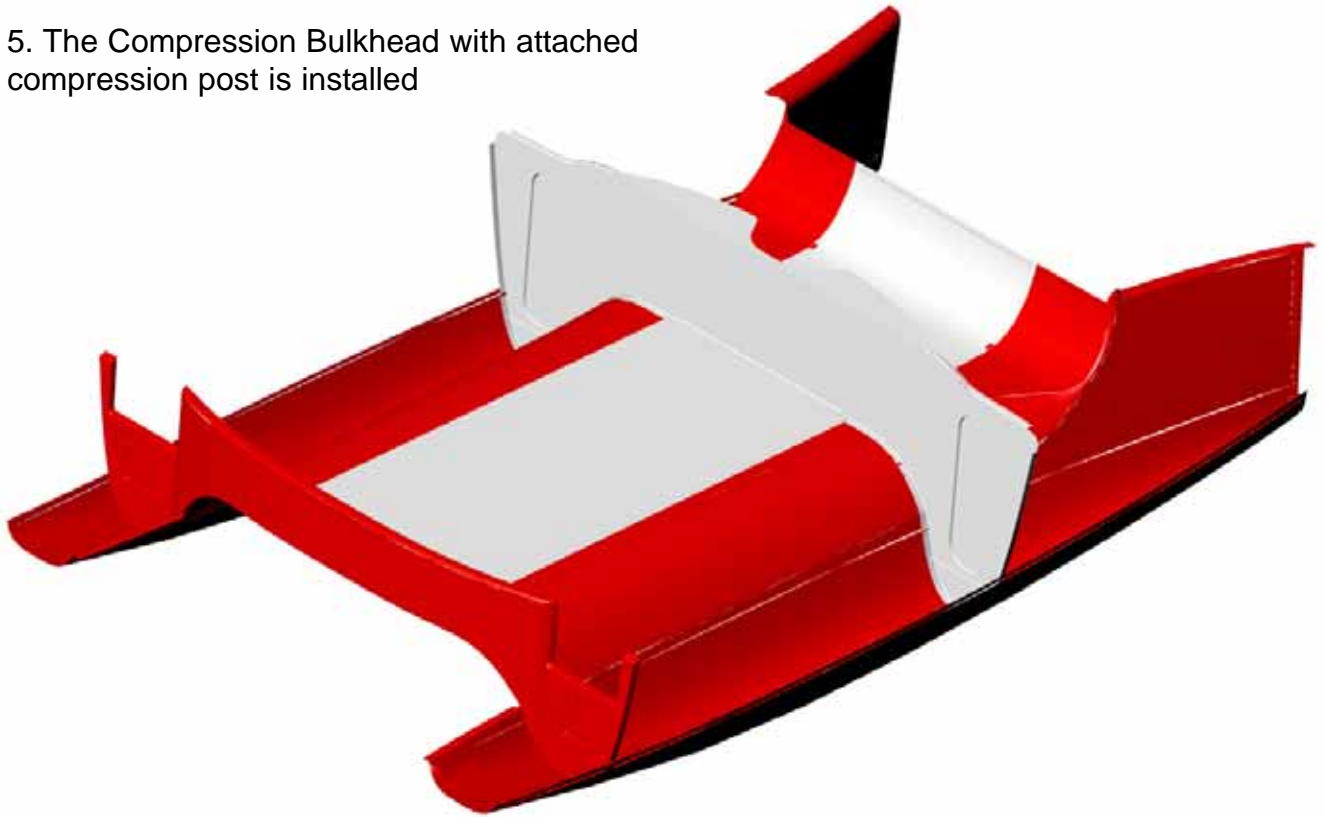
3. The Bridgedeck is next



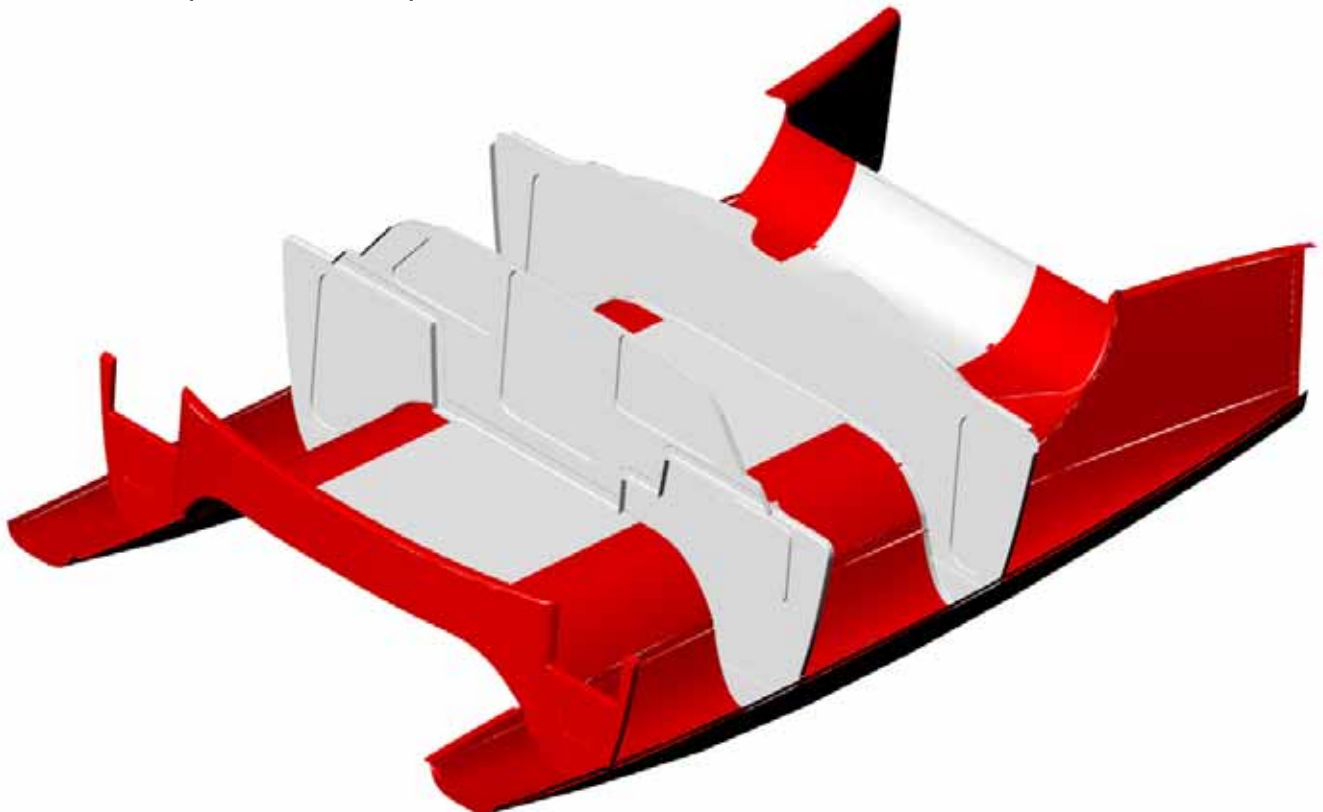
4. The Aft Beam goes in



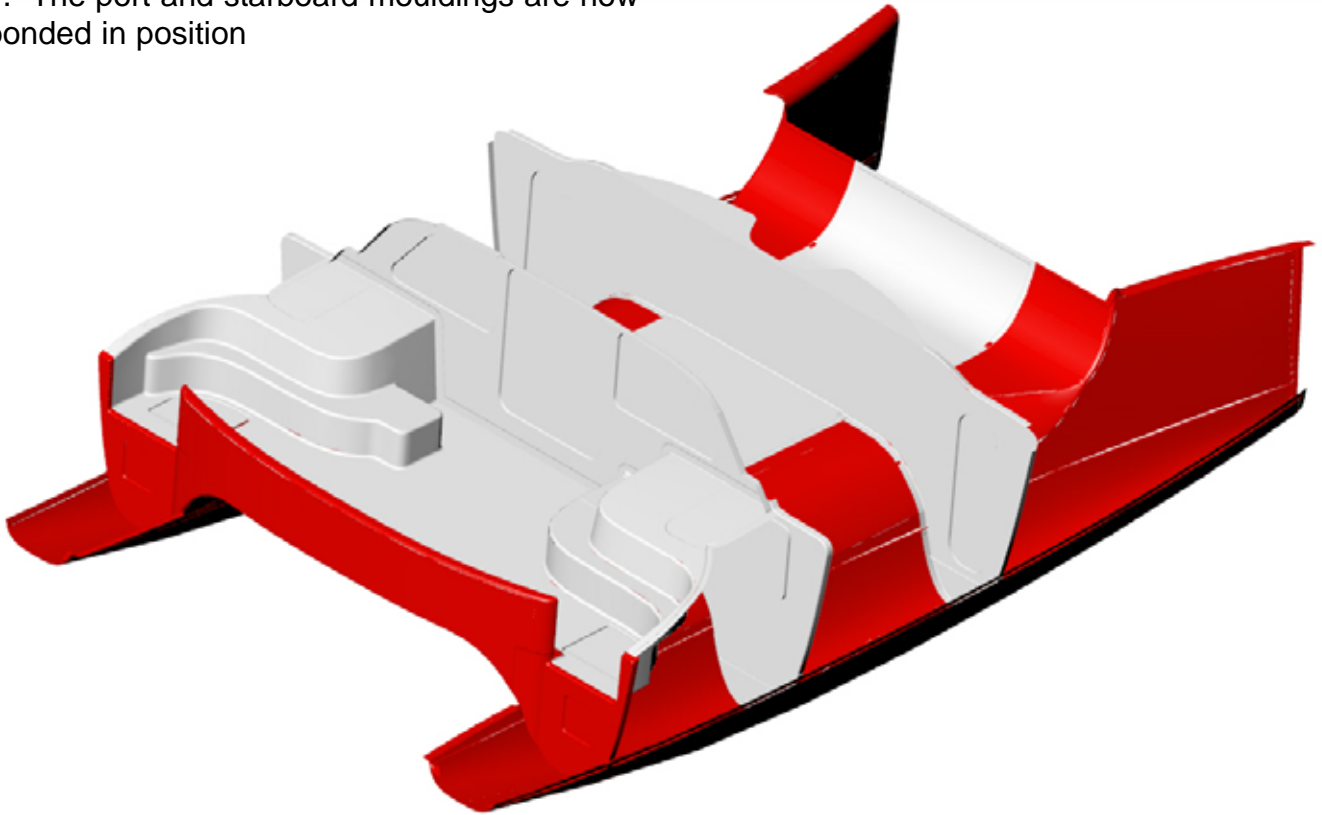
5. The Compression Bulkhead with attached compression post is installed



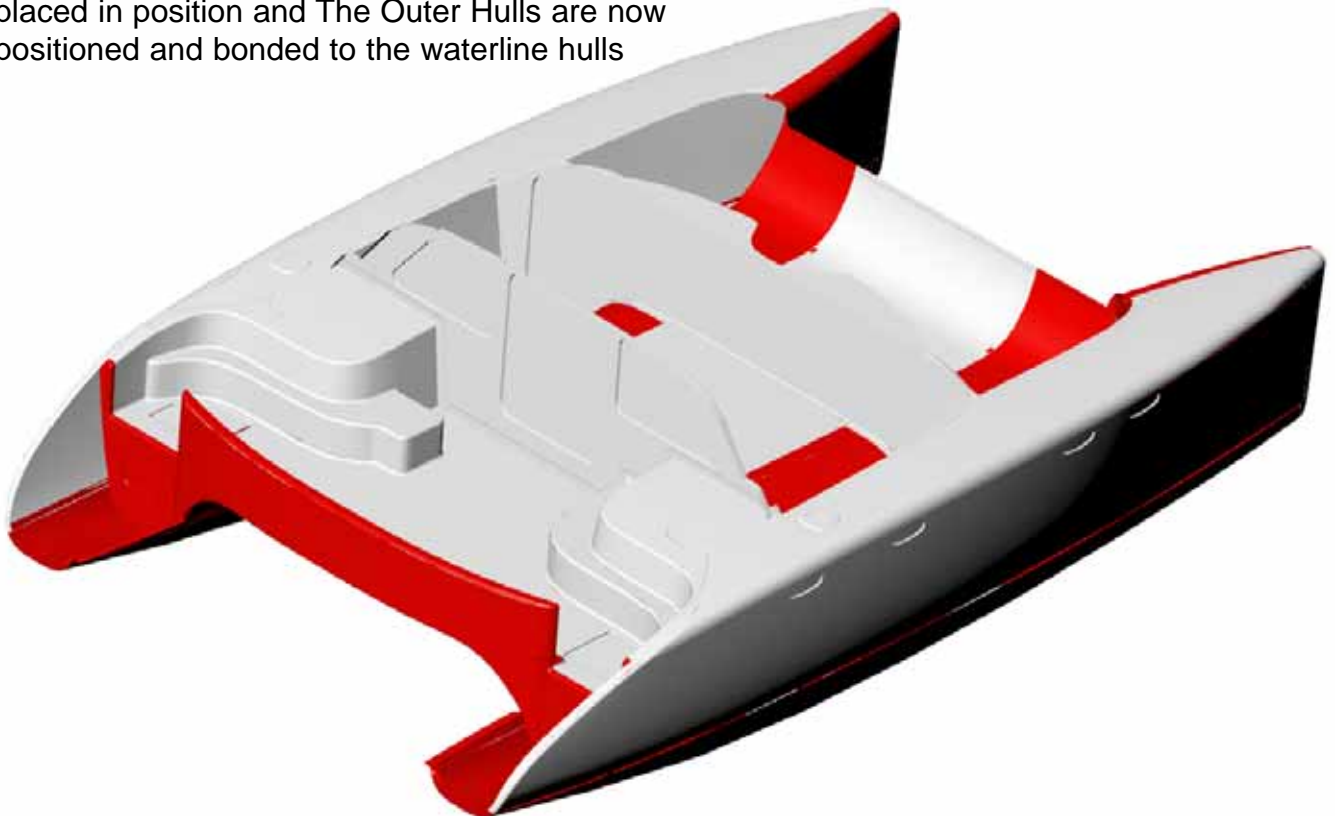
6. The Cockpit Bulkhead is positioned



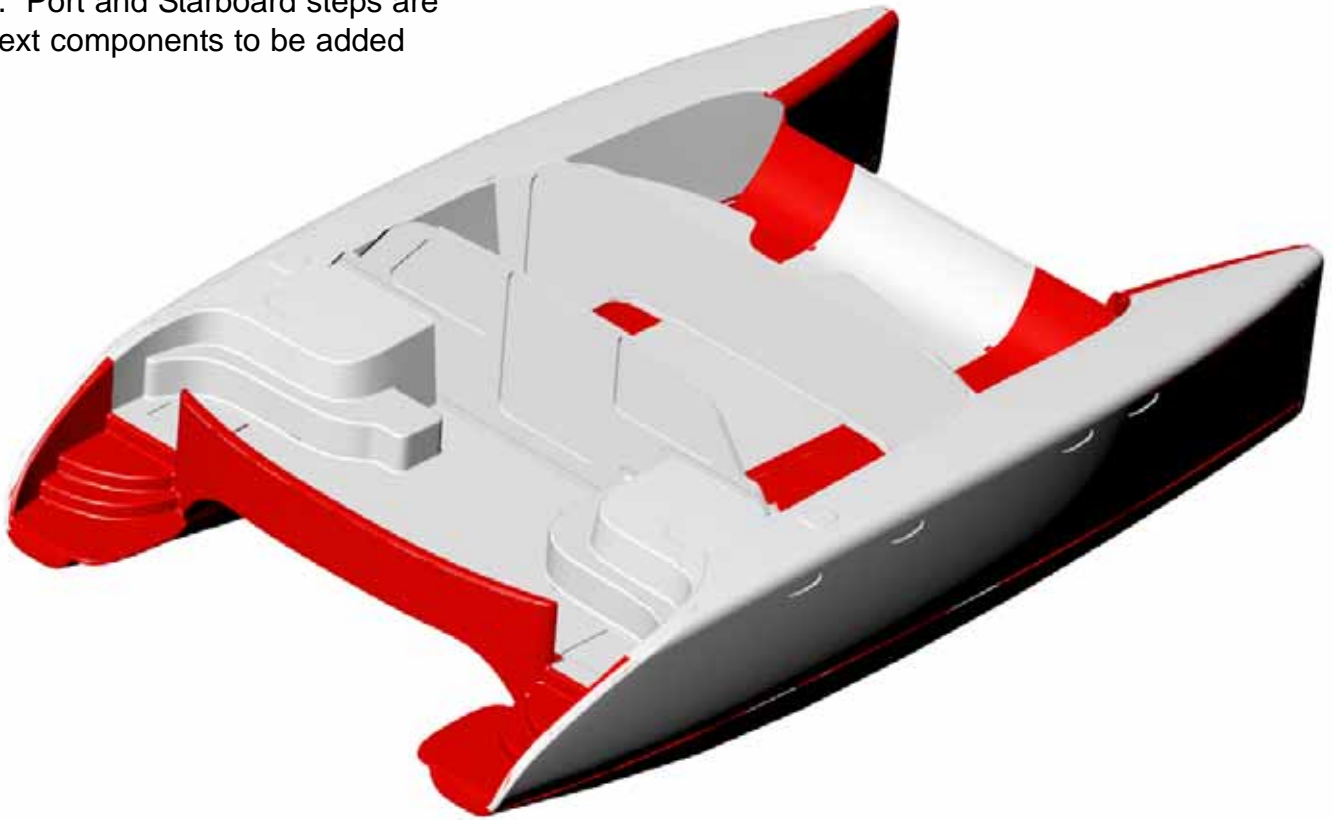
7. The port and starboard mouldings are now bonded in position



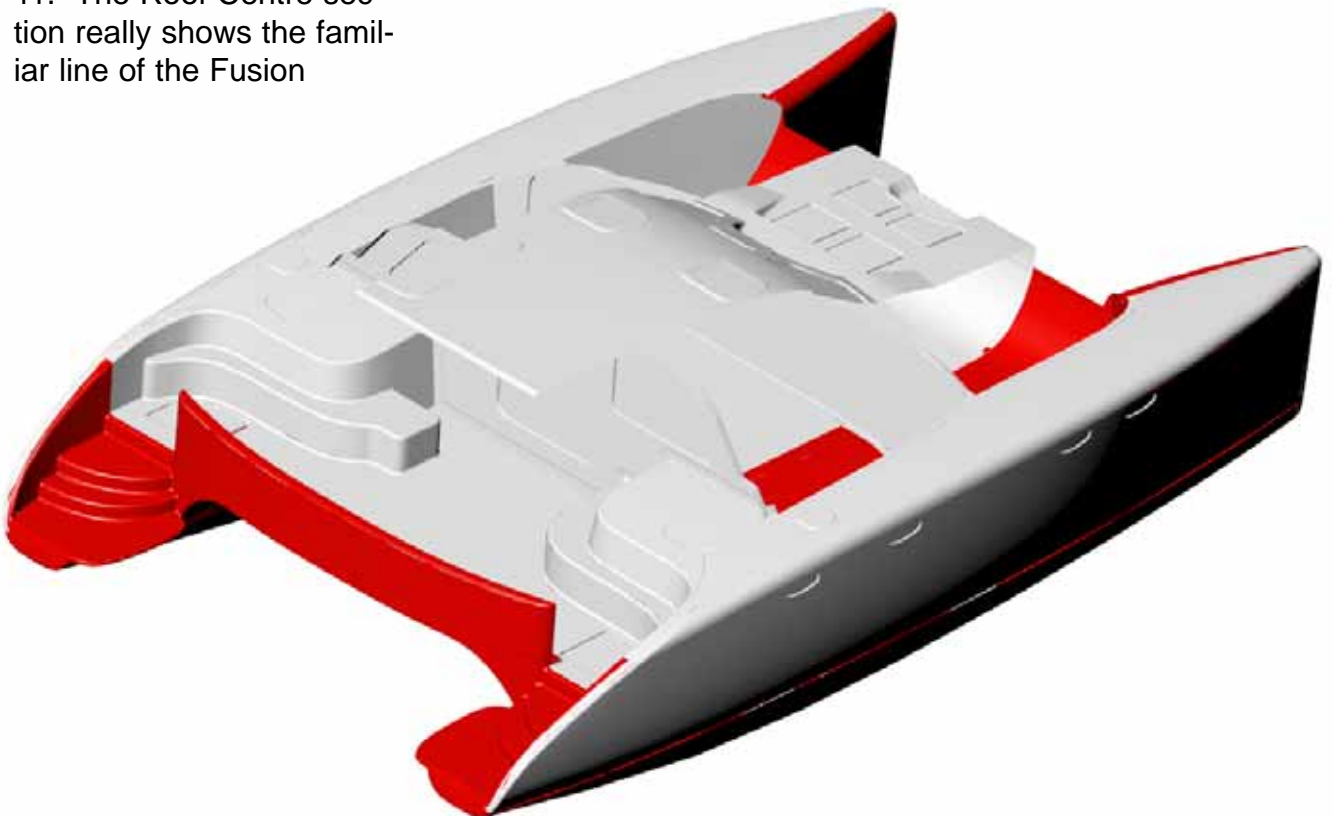
8. The supplied, pre-cut Flat Panels are placed in position and The Outer Hulls are now positioned and bonded to the waterline hulls



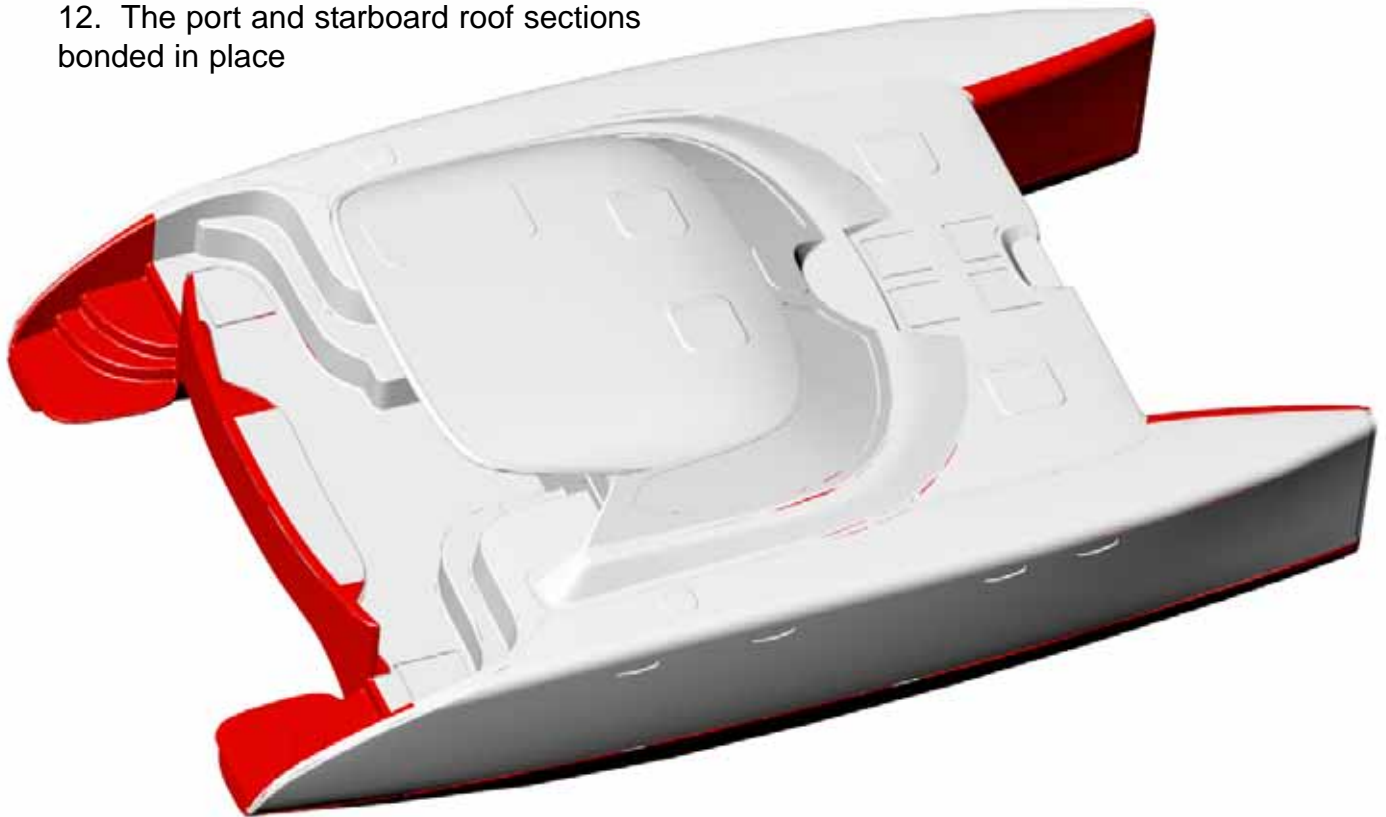
9. Port and Starboard steps are next components to be added



11. The Roof Centre section really shows the familiar line of the Fusion



12. The port and starboard roof sections bonded in place



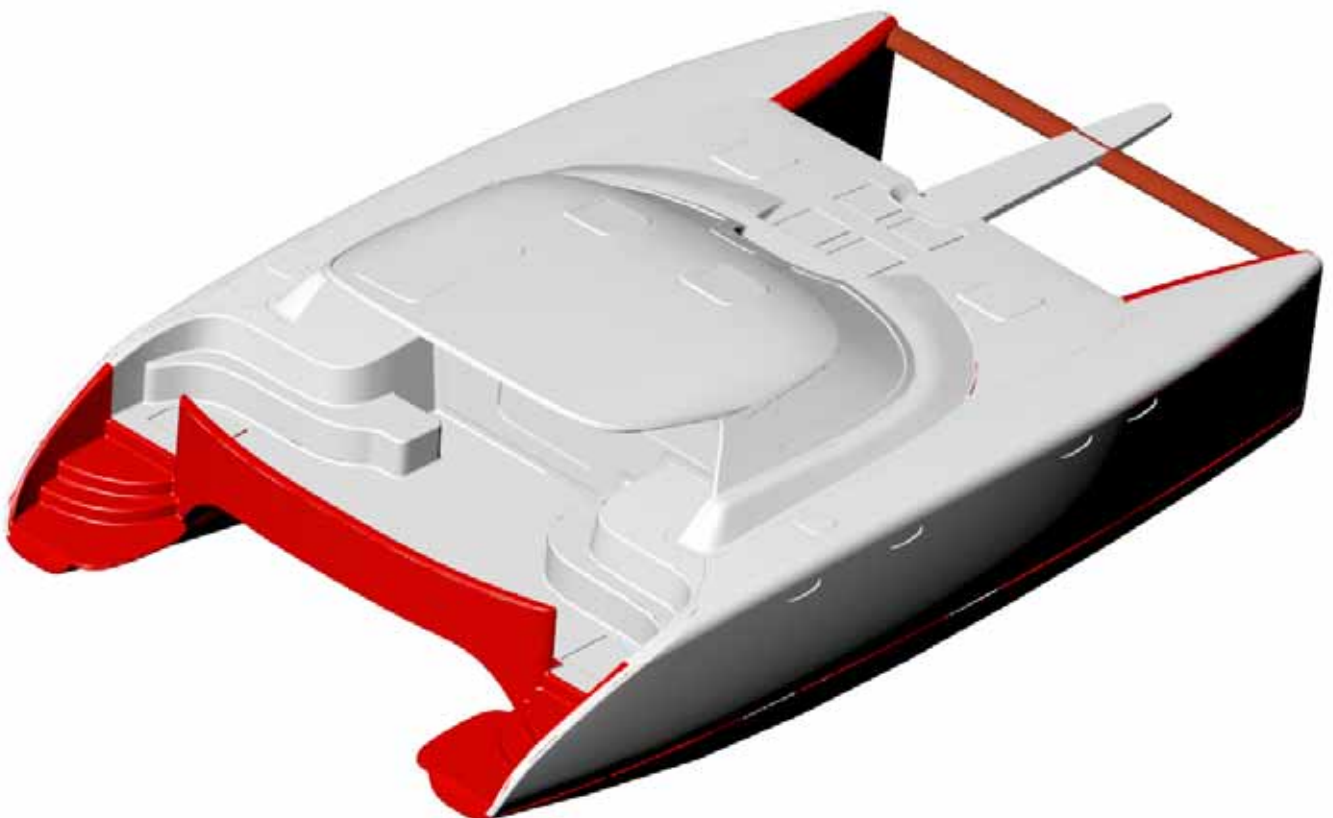
13. The final large section to go onto the boat is the cockpit seat



14. Nose cones are fitted and the mini keels can be bonded either at the start or the finish of assembly



The moulded Fibreglass Catwalk and prodder can be installed once the forebeam is in place



The hardest decision I have been told is “What are we going to call her”?



Even at this stage, with motors steering and tanks, you have a vessel that will give you endless days of fun afloat



The material in this Publication is ©Copyright and its only permitted use is for the clients of Fusion Australia Pty Ltd and Fusion Marketing Ltd. Neither the publication or its contents are to be used without written permission for any other purpose.